

# 2-100L



## Carriers

2200lbs Loaders

## Weight

530lbs

## Capacity

0.16yd<sup>3</sup>

## Flow

10.5 gpm/us

## Screening Area

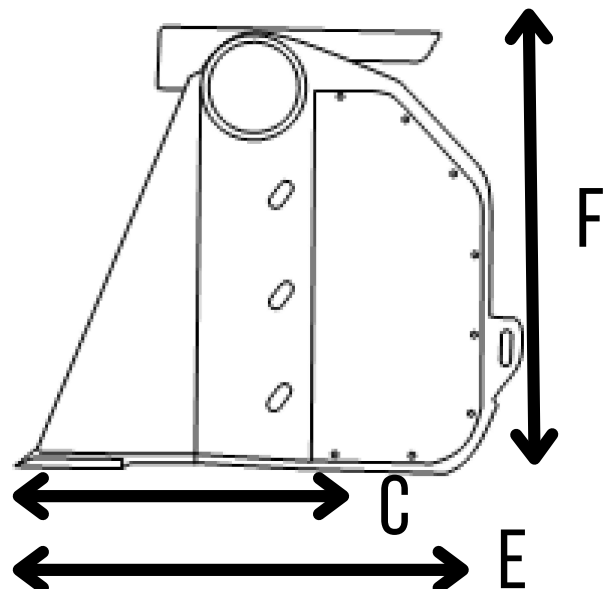
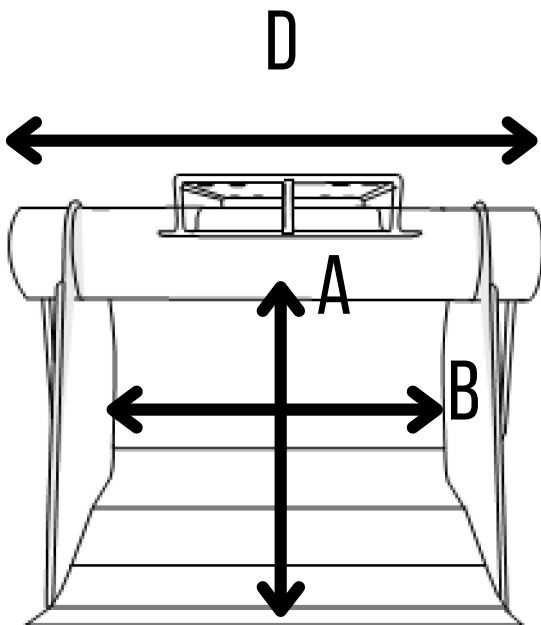
12 inches x 39 inches

## Dimensions

A - 12 inches D - 51 inches

B - 39 inches E - 23 inches

C - 14 inches F - 20 inches



True Compact Screening  
Low maintenance System  
Poly-Stars screen without crushing  
Non-stick floor as standard